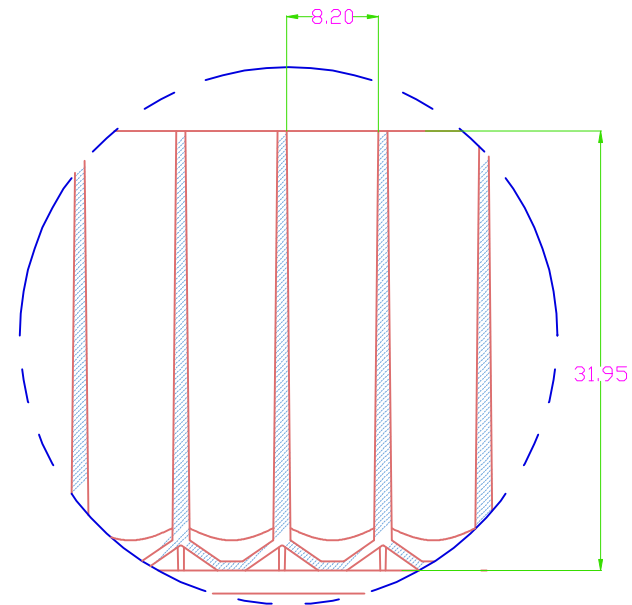


SECTION H-H



DETAIL J
SCALE $\frac{2}{1}$